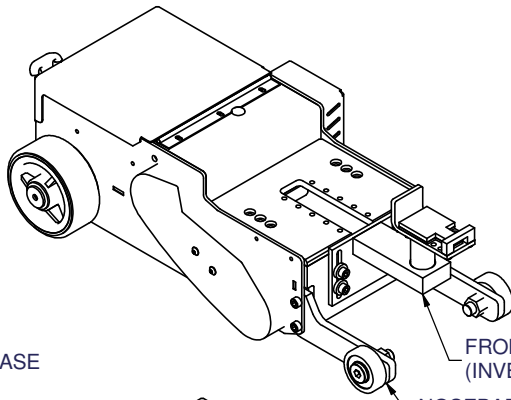


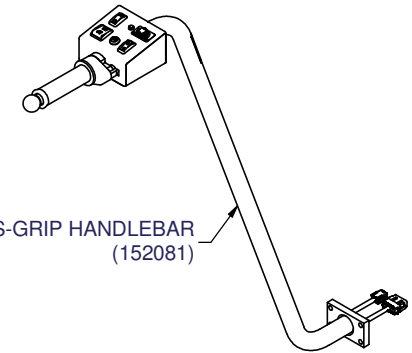
FRONT MOUNT BASE

NOSEBAR ASS'Y

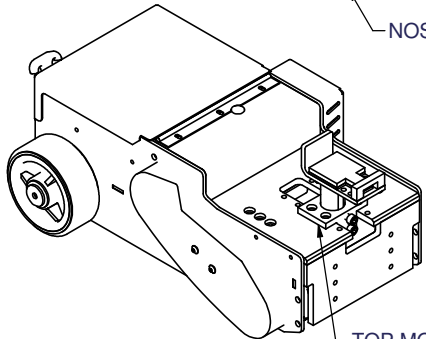


FRONT MOUNT BASE (INVERTED)

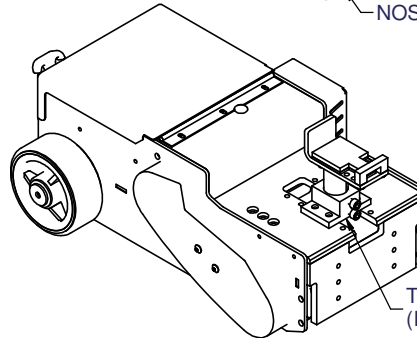
NOSEBAR ASS'Y



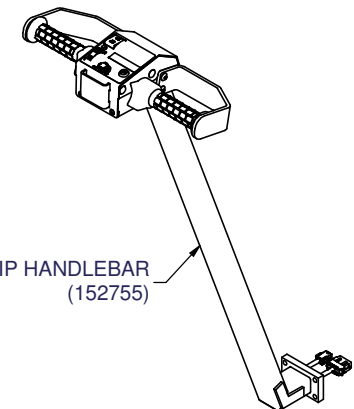
S-GRIP HANDLEBAR (152081)



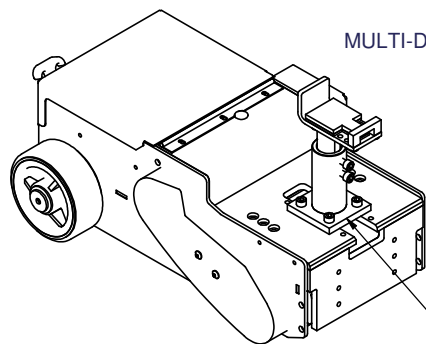
TOP MOUNT BASE



TOP MOUNT BASE (INVERTED)

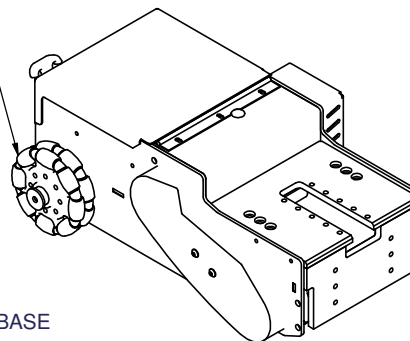


T-GRIP HANDLEBAR (152755)



MULTI-DIRECTIONAL WHEEL

4" TALL TOP MOUNT BASE



**NOTE:**  
REFERENCE 142298 FOR AVAILABLE STANDARD TOOLING COMPONENTS

CONFIG,CARTMOVER,v7.3,OPTIONS				TOLERANCES UNLESS OTHERWISE SPECIFIED		 <b>PRODUCTIVE SOLUTIONS, INC.</b> 1-800-531-2002 www.AMDPSI.com				
ALL INFORMATION CONTAINED IN OR DISCLOSED BY THIS DOCUMENT IS CONSIDERED CONFIDENTIAL AND PROPRIETARY BY APPLETON MFG. DIV. PRODUCTIVE SOLUTIONS INC. COMMUNICATION OF THIS INFORMATION TO OTHERS IS PROHIBITED WITHOUT THE PRIOR WRITTEN CONSENT OF APPLETON MFG. DIV. PRODUCTIVE SOLUTIONS, INC.				.X = ± 0.030 .XX = ± 0.015 .XXX = ± 0.005						
REV	CHANGE	ECN #	DATE	BY	CHK	DATE	DWN BY	CHK	SHEET NO.	PART NO.
			6/4/2015	TFUHRMANN					1 of 1	152761