

SPECIFICATIONS

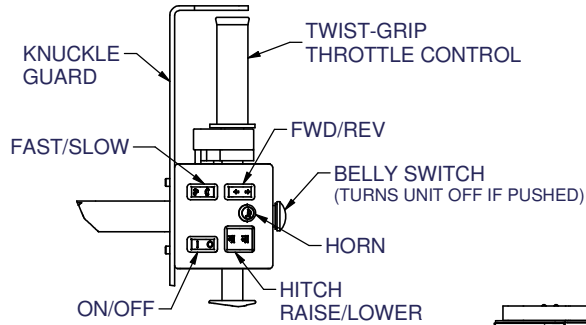
24V BATTERY POWERED
 TOP SPEED: 220 fpm (1.1 meter/sec.)
 WEIGHT: APPROX. 90 lbs (41 kg)

BATTERY CHARGER

110/240VAC 50/60Hz 5/2.5A
 APPROX. 3.0A CHARGE RATE

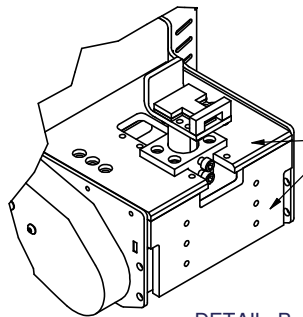
BATTERY OPTIONS:

24V 3000mAh NICD
 24V 5000mAh NICD

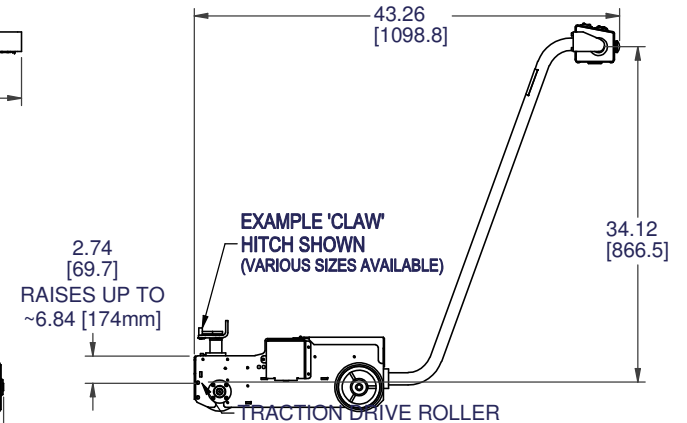
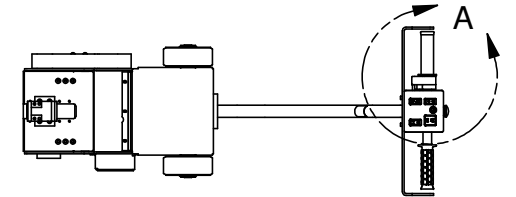
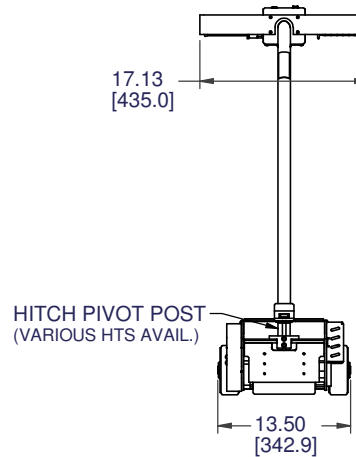
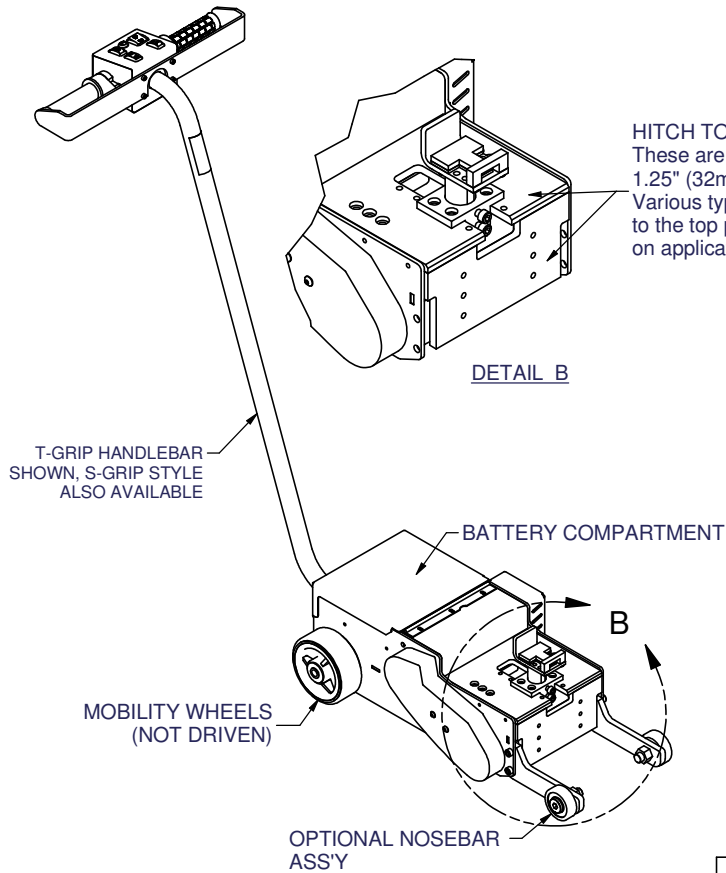


DETAIL A

HITCH TOP PLATFORM & FRONT PLATE
 These are welded together & actuate up to 1.25" (32mm) (see dimensions on side view). Various types of hitches may be attached either to the top platform or the front plate, depending on application. Mount holes are tapped 5/16-18 unc.



DETAIL B



CartMover

OVERVIEW, CM-A, v7.1, T-GRIP

ALL INFORMATION CONTAINED IN OR DISCLOSED BY THIS DOCUMENT IS CONSIDERED CONFIDENTIAL AND PROPRIETARY BY APPLETON MFG. DIV. PRODUCTIVE SOLUTIONS INC. COMMUNICATION OF THIS INFORMATION TO OTHERS IS PROHIBITED WITHOUT THE PRIOR WRITTEN CONSENT OF APPLETON MFG. DIV. PRODUCTIVE SOLUTIONS, INC.

TOLERANCES UNLESS OTHERWISE SPECIFIED
 .X = ± 0.030
 .XX = ± 0.015
 .XXX = ± 0.005



A DOUBLE E COMPANY
 1-800-531-2002 www.APPLETONMFG.com

A	ASSIGNED PART # TO OVERVIEW		09/11/13	TF	NB	DATE	DWN BY	CHK	SHEET NO.	PART NO.
REV	CHANGE	ECN #	DATE	BY	CHK	2/25/2011	BG		1 of 1	149631