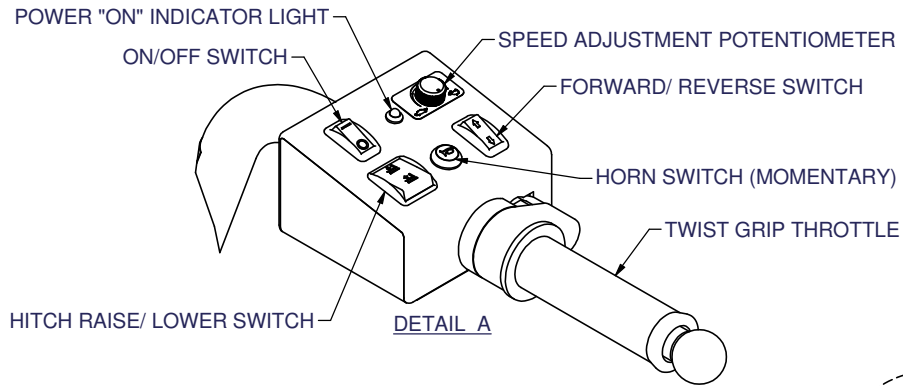


**SPECIFICATIONS**  
 24V BATTERY POWERED  
 TOP SPEED: 250 fpm (1.3 meter/sec.)  
 WEIGHT: APPROX. 92 lbs (42 kg)

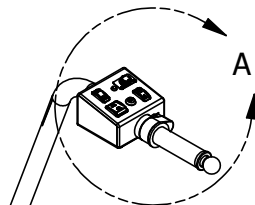
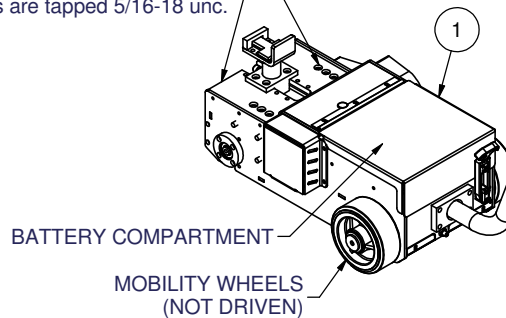
**BATTERY CHARGER**  
 110/240VAC 50/60Hz 5/2.5A  
 APPROX. 3.0A CHARGE RATE

**BATTERY OPTIONS:**  
 24V 3000mAh NICD  
 24V 5000mAh NICD

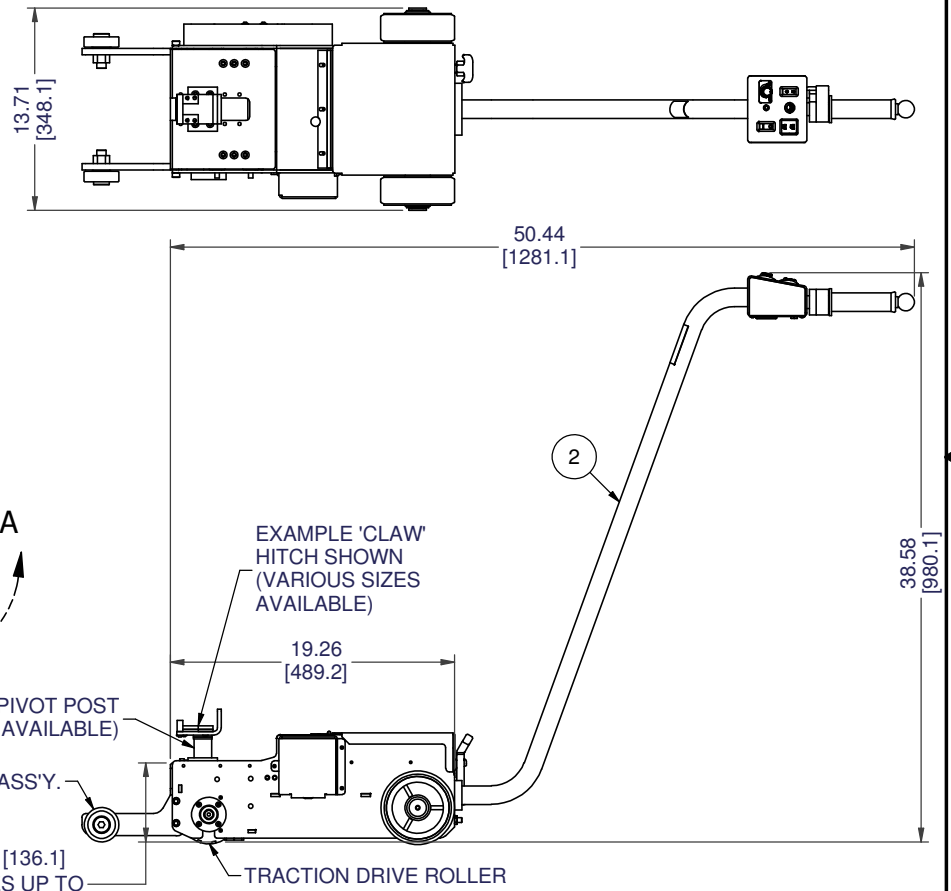
| Parts List |     |          |                                 |     |
|------------|-----|----------|---------------------------------|-----|
| ITEM       | QTY | PART NO. | DESCRIPTION                     | ref |
| 1          | 1   | 152736   | ASSY,CARTMOVER,CM-Av7.3         |     |
| 2          | 1   | 152081   | ASSY,HANDLEBAR,S-GRIP,CM-A v7.3 |     |



**HITCH TOP PLATFORM & FRONT PLATE**  
 These are welded together & actuate up to 1.25" (32mm) (see dimensions on side view). Various types of hitches may be attached either to the top platform or the front plate, depending on application. Mount holes are tapped 5/16-18 unc.



5.36 [136.1] RAISES UP TO 6.75 [171.0]



| REV | CHANGE                      | ECN # | DATE     | BY | CHK | DATE     | DWN BY    | CHK |
|-----|-----------------------------|-------|----------|----|-----|----------|-----------|-----|
| A   | CHANGED DESCRIPTION TO v7.3 | 059   | 06/03/15 | TF | NB  | 1/9/2015 | TFUHRMANN |     |

| OVERVIEW,CM-A,v7.3,S-GRIP  |  |  |
|--|--|--|
| ALL INFORMATION CONTAINED IN OR DISCLOSED BY THIS DOCUMENT IS CONSIDERED CONFIDENTIAL AND PROPRIETARY BY APPLETON MFG. DIV. PRODUCTIVE SOLUTIONS INC. COMMUNICATION OF THIS INFORMATION TO OTHERS IS PROHIBITED WITHOUT THE PRIOR WRITTEN CONSENT OF APPLETON MFG. DIV. PRODUCTIVE SOLUTIONS, INC. |  |  |
| TOLERANCES UNLESS OTHERWISE SPECIFIED  |  |  |
| .X = ± 0.030   |  |  |
| .XX = ± 0.015  |  |  |
| .XXX = ± 0.005   |  |  |

**Appleton**  
 MFG. DIV.  
**PRODUCTIVE SOLUTIONS, INC.**  
 1-800-531-2002 www.AMPDSI.com

SHEET NO. 1 of 1 PART NO. 152163