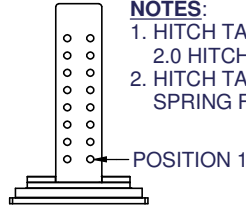


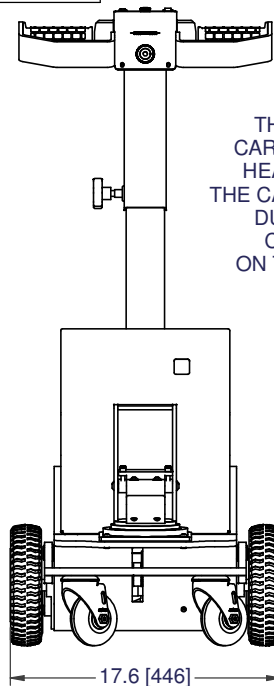
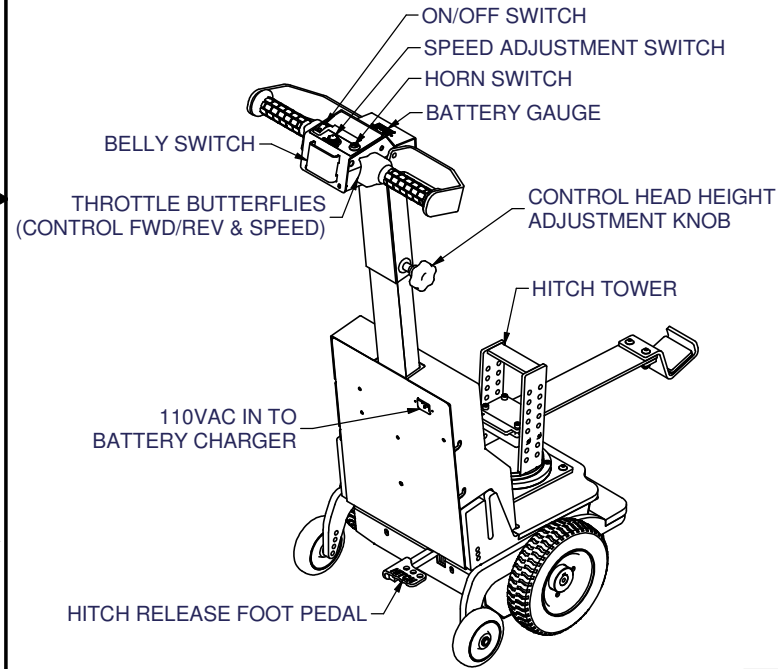
w/ SPRING EXTENDED		
POSITION	H-BAR FWD	H-BAR BACK
1	4.44"	11.28"
2	5.17"	12.02"
3	5.90"	12.77"
4	6.62"	13.51"
5	7.35"	14.26"
6	8.08"	15.00"
7	8.81"	15.74"
8	9.54"	16.49"
DISTANCE FROM CART	8.89"	8.71"

w/ SPRING RETRACTED		
POSITION	H-BAR FWD	H-BAR BACK
1	5.27"	11.03"
2	6.00"	11.77"
3	6.73"	12.52"
4	7.45"	13.26"
5	8.18"	14.01"
6	8.91"	14.75"
7	9.64"	15.49"
8	10.37"	16.24"
DISTANCE FROM CART	5.49"	5.23"



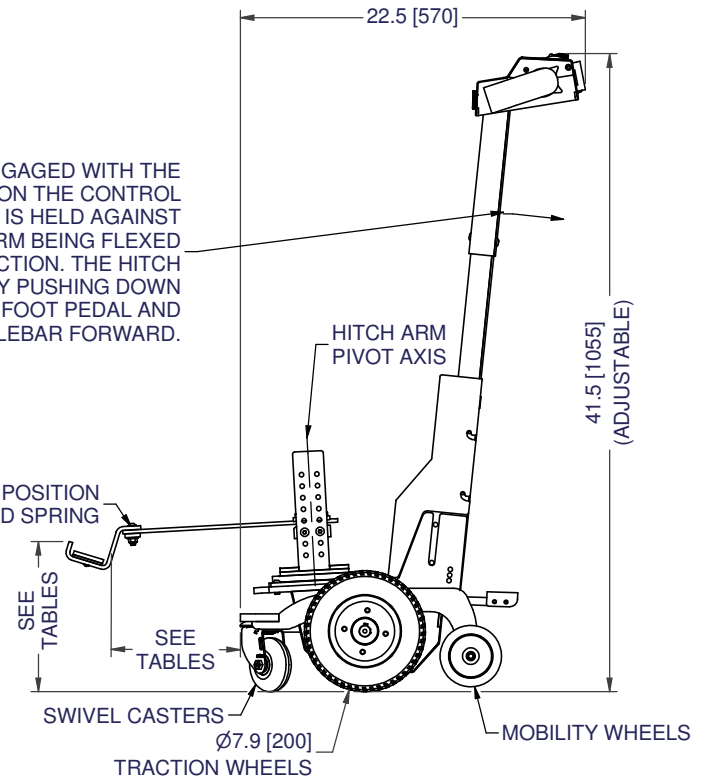
**NOTES:**

- HITCH TABLE VALUES SHOWN ARE FOR 2.0 HITCH CLAW (146471) WITHOUT LOAD.
- HITCH TABLE VALUES SHOWN ARE WITH SPRING FULLY EXTENDED AND RETRACTED.



THE HITCH CLAW IS ENGAGED WITH THE CART BY PRYING DOWN ON THE CONTROL HEAD. THE HITCH CLAW IS HELD AGAINST THE CART BY THE HITCH ARM BEING FLEXED DUE TO THE PRYING ACTION. THE HITCH CLAW IS RELEASED BY PUSHING DOWN ON THE HITCH RELEASE FOOT PEDAL AND PIVOTING THE HANDLEBAR FORWARD.

ADJUSTABLE POSITION HITCH AND SPRING



**SPECIFICATIONS**

24V BATTERY (SLA)  
 BATTERY CHARGING: ON-BOARD, REQUIRES 110/120 VAC  
 TOP SPEED: 220 fpm (1.1m/s)  
 WEIGHT: ~125 lbs (57 kg)

REV	CHANGE	ECN #	DATE	BY	CHK
C	EXPANDED HITCH TABLES		01/15/14	TF	NB
B	EDITED HITCH HEIGHT SETTINGS TABLE		11/04/13	TF	NB
A	ADDED HITCH HEIGHT SETTINGS TABLE		09/12/13	TF	NB

OVERVIEW,CMC,v2.0,T-GRIP,WIG-WAG		
DATE	DWN BY	CHK
5/6/2013	TFUHRMANN	

**Appleton**  
 MFG. DIV.  
**PRODUCTIVE SOLUTIONS, INC.**  
 1-800-531-2002 www.AMDPSI.com

TOLERANCES UNLESS OTHERWISE SPECIFIED  
 .X = ± 0.030  
 .XX = ± 0.015  
 .XXX = ± 0.005

SHEET NO. 1 of 1 PART NO. 149634