

4

3

2

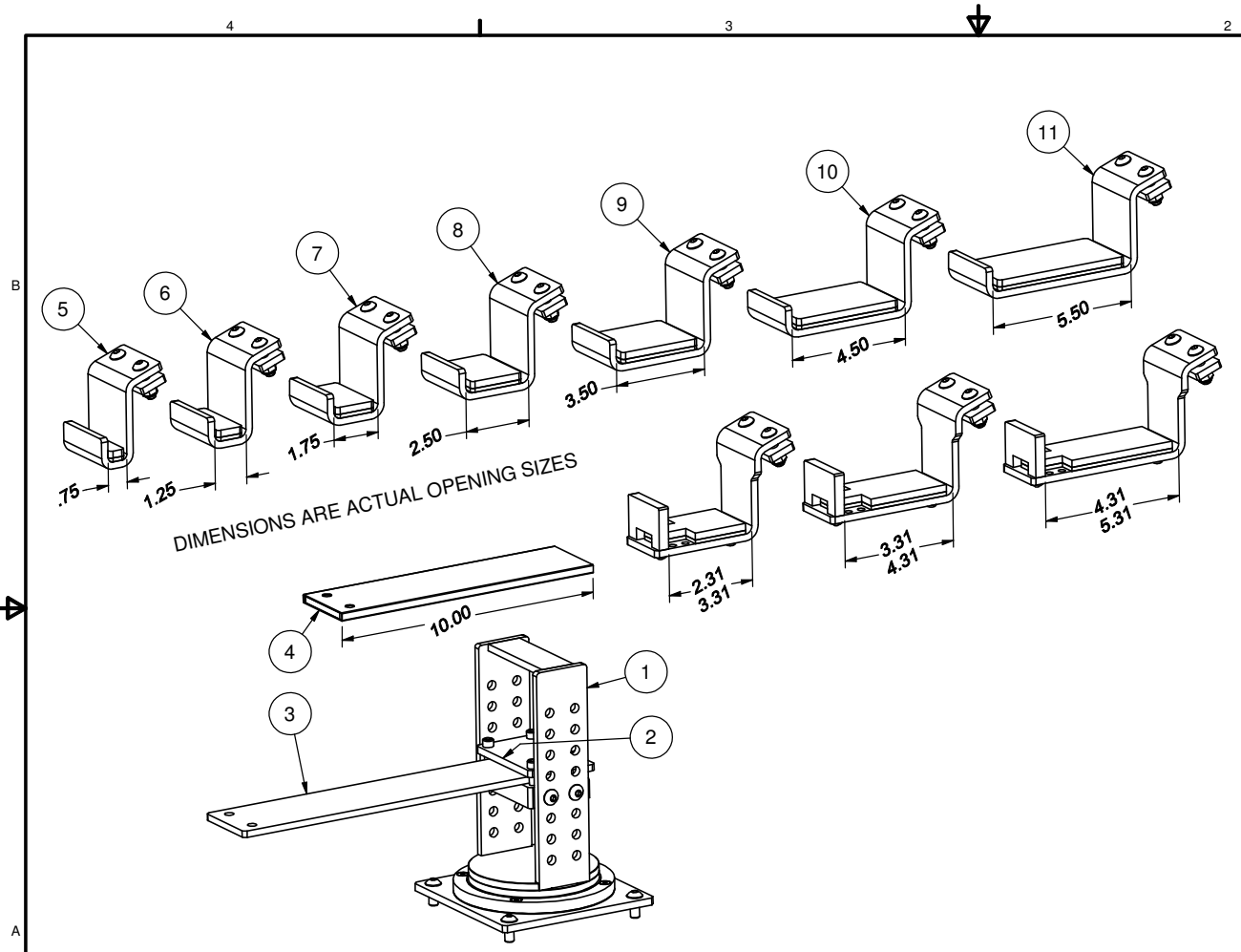
1

B

B

A

A



Parts List

ITEM	QTY	PART NO.	DESCRIPTION	ref
1	1	147716	ASSY,BASE,HITCH,TWR,CM-C	
2	1	147726	ALTN,CLAMP,ARM,HITCH,TWR,CM-C	
3	1	147085	ASSY,ARM,SPRING,HITCH,CMC,14	
4	1	147084	ASSY,ARM,SPRING,HITCH,CMC,10	
5	1	148035	HITCH,CLAW,1/2",CM-C	
6	1	146468	HITCH,CLAW,1.0",CM-C	
7	1	148032	HITCH,CLAW,1.5",CM-C	
8	1	146471	HITCH,CLAW,2.0",CM-C	
9	1	146474	HITCH,CLAW,3.0",CM-C	
10	1	146477	HITCH,CLAW,4.0",CM-C	
11	1	146480	HITCH,CLAW,5.0",CM-C	
12	1	149950	HITCH,CLAW,ADJ,2-3,CM-C	
13	1	149952	HITCH,CLAW,ADJ,3-4,CM-C	
14	1	149954	HITCH,CLAW,ADJ,4-5,CM-C	



D	ADDED ADJUSTABLE CLAWS	03/06/14	TF	NB	SYSTEM,HITCH,CM-C			TOLERANCES UNLESS OTHERWISE SPECIFIED .X = ± 0.030 .XX = ± 0.015 .XXX = ± 0.005	 PRODUCTIVE SOLUTIONS, INC. 1-800-531-2002 www.AMDPSI.com	
C	REPLACED CM-C,v1.1 WITH CM-C,v2.0	11/15/13	TF	NB	ALL INFORMATION CONTAINED IN OR DISCLOSED BY THIS DOCUMENT IS CONSIDERED CONFIDENTIAL AND PROPRIETARY BY APPLETON MFG. DIV. PRODUCTIVE SOLUTIONS INC. COMMUNICATION OF THIS INFORMATION TO OTHERS IS PROHIBITED WITHOUT THE PRIOR WRITTEN CONSENT OF APPLETON MFG. DIV. PRODUCTIVE SOLUTIONS, INC.					
B	REMOVED 142299, 142301 & 145820	11/16/12	TF	NB				SHEET NO.	PART NO.	
A	ADDED 1/2" & 1.5" CLAWS	-	09/18/12	BG	-				1 of 1	146467
REV	CHANGE	ECN #	DATE	BY	CHK	DATE	DWN BY	CHK		
						7/31/2012	BG			

4

3

2

1

